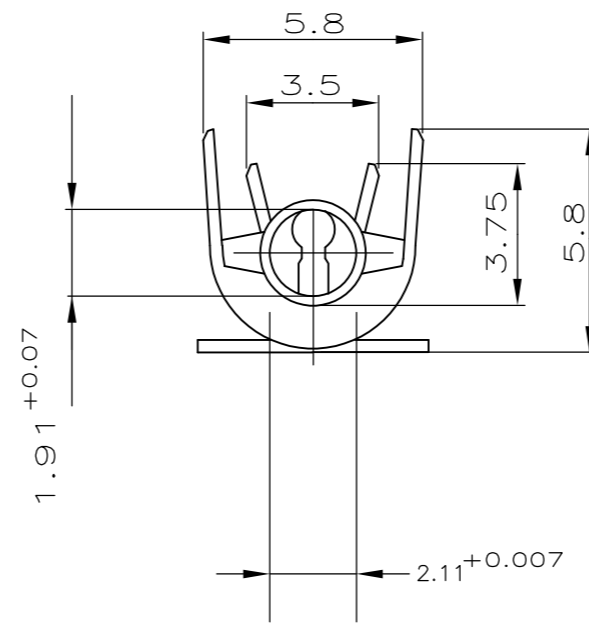
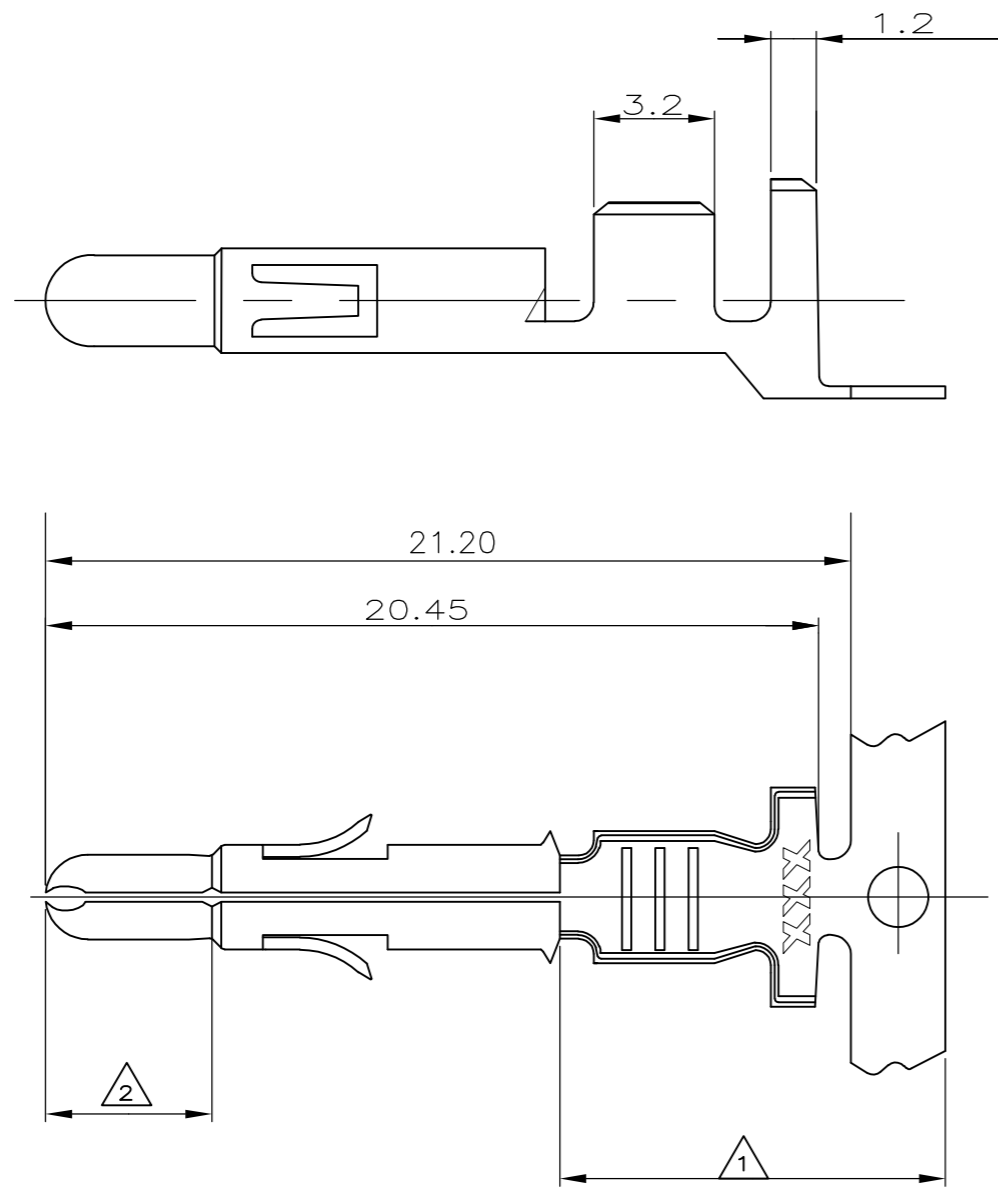


THIS DRAWING IS UNPUBLISHED. RELEASED FOR PUBLICATION
 © COPYRIGHT - By - ALL RIGHTS RESERVED.

LOC	DIST	REVISIONS			
P	LTR	DESCRIPTION	DATE	DWN	APVD
	K4	ECR-12-020451	11NOV2013	KKB	RRP



- 1 2-5µm Sn über Ni in der crimpzone.
- 2 0.8µm Gold über Nickel in der kontaktzone
- 3. Für isolations Ø3.3-5.1 mm geeignet
- 4 OBSOLETE PARTS: OBSOLETE CIS STREAMLINING PER D.RENAUD/D.SINISI.

4 OBSOLETE	926902-7	926899-7	CuZn30 F53	1 2
	926902-6	926899-6	CuSn4 F56	1 2
	926902-5	926899-5	CuCrZr F50	vorverzinnt
	926902-4	926899-4	CuCrZr F50	blank
	926902-3	926899-3	CuSn4 F56	vorverzinnt
	926902-1	926899-1	CuZn30 F53	vorverzinnt
	LOOSE PIECE	Bestell-Nr	werkstoff	Oberfläche Farbe

THIS DRAWING IS A CONTROLLED DOCUMENT.		DWN	11.11.03		
		CHK	12.11.03		
		APVD	13.11.03		
		PRODUCT SPEC			
DIMENSIONS: mm		TOLERANCES UNLESS OTHERWISE SPECIFIED:		NAME	
		0 PLC ± - 1 PLC ± - 2 PLC ± 0.2 3 PLC ± - 4 PLC ± - ANGLES ± -		UNIVERSAL M-N-L STIFT DGB 1.5-2.5 mm2	
MATERIAL		FINISH		SIZE	RESTRICTED TO
				A2	-
				CAGE CODE	DRAWING NO
				00779	C=926899
				SCALE	SHEET
				5:1	1 of 1
				REV	K4
				CUSTOMER DRAWING	

668876

B

A